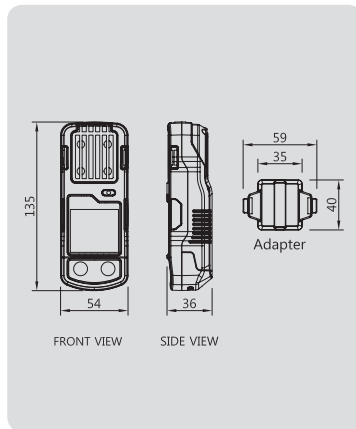


# Portable Multi Gas Detector SP12C7

## Explication and Features

SP12C7 is an unified gas detector measuring four (4) major gases, which result the most of the industrial accidents, to protect workers from the disasters caused by the oxygen deficiency, toxic gas poisoning and gas explosion. Measure continuously four (4) gases (O<sub>2</sub>, CO, H<sub>2</sub>S and Combustible Gas(CH<sub>4</sub>)) and display their concentrations and raise an alarm when the risk occurs.



- Simultaneously check 4 different gases (methane, oxygen, carbon monoxide, hydrogen sulfide)
- Explosive proof structure for the safety
- Rubber material case for the shock protection
- External pump and probe installation
- Automatic light on when alarming
- Both rechargeable battery and alkaline battery are compatible
- The excellent water proof/dust proof structure
- Data logging (Under development)

## Applications

Steelworks, Petrochemical plant, Shipbuilding yard, Sewage treatment plant, Mine, Power supply works, Hermetically sealed area (manhole, tank)



## Specification

Model	SP12C7			
Measuring gas	CH <sub>4</sub>	O <sub>2</sub>	CO	H <sub>2</sub> S
Measuring type	External Pump or Diffusion Type			
Measuring method	Catalytic	Electrochemical cell	Electrochemical cell	Electrochemical cell
Measuring range	0~100%LEL	0~30%VOL	0~500ppm	0~100ppm
Sensor life time	> 2years	< 2year	> 2year	> 2year
Response time	<15sec/90% scale	<15sec/90% scale	<30sec/90% scale	<30sec/90% scale
Accuracy	±3%/Full scale			
Resolution	1%LEL	0.1%VOL	1PPM	1PPM
Parameter Control	Front 2 switch(calibration, maintenance, alarm setting)			
Operation mode display	Digital LCD display, LCD Backlight, Indicator LED			
Measuring value display	Digital LCD Display			
Alarm display	Visual : LCD alarm display, LCD Backlight, Indicator LED Audible : buzzer(90dB @ 10cm)			
Alarm level set	Programmable within dectection range			
Sampling method	Diffusion Type or Sampling type with the SP-Pump101 option			
Flow rate	External Pump : 0.5 Liter / min			
Mounting type	Belt Clip			
Program set mode	Alarm value(1,2 alarm)		Alarm value(1,2,TWA, STEL alarm)	
Operating temperature	Calibration Gas concentration Use sensor select Password Setting			
Operating humidity	-20℃~55℃			
Battery power	5 to 95% RH(Non-condensing)			
Battery life time	NI-MH Battery-2EA or Alkaline Battery-2EA			
Material	500~1,000 time Rechargeable			
LCD size	PC / TPE			
Dimensions	38(W) × 35(H) mm			
Weight	54(W) × 135(H) × 36(D)mm			
Approval	240g			
	Ex iad IIC T4 IP67 (KGS)			